

Precision Linear Transducers, Designed for Mounting in Hydraulic or Pneumatic Cylinder, Conductive Plastic Element (REC)



Those sensors are to be installed in the high pressure chamber of cylinders and are equipped with glass-sealed electrical outputs.

FEATURES

- Large Range of Strokes from 25 to 2000mm
- High Accuracy
- Very Good Repeatability
- Continuous Resolution
- Easy Mounting

ELECTRICAL SPECIFICATIONS	
Theoretical electrical travel (TET = E)	from 25mm to 2000mm in increments of 25mm
Independent linearity over TET on request	$\leq \pm 1\%$; $\leq \pm 0.1\%$ $\leq \pm 0.05\%$ if $E \geq 100\text{mm}$ $\leq \pm 0.025\%$ if $E \geq 200\text{mm}$
Actual electrical travel (AET)	TET + 6mm \pm 0.5
Total resistance R_T	150 Ω /cm
Resistance tolerance at 20°C	$\pm 20\%$
Repeatability	$\leq 0.01\%$
Maximum power rating	0,05 W/cm at 70°C, 0 W at 125°C
Wiper current	1mA max. continuous, recommended: a few μA
Load impedance	1000 times R_T minimum
Insulation resistance	> 1000M Ω 500VDC
Dielectric strength	> 300VRMS at 50Hz

MECHANICAL SPECIFICATIONS	
Mechanical travel MT	MT = TET
Body	anodized aluminum
Rod internal diameter	14 LA: \varnothing 16mm, 16 LA: \varnothing 18mm
Support	stainless steel
Operating force	1N typical
Sealing	glass-sealing on electrical outputs
Electrical outputs on request	connector wires
Oil	insulating mineral hydraulic
Pressure	300 bars continuous, 1000 bars accidentally
Wiper	precious metal multifinger

PERFORMANCE	
Life	40 million of cycles
Temperature limits	- 20°C to + 80°C
Speed at 20°C	1.5m/s max

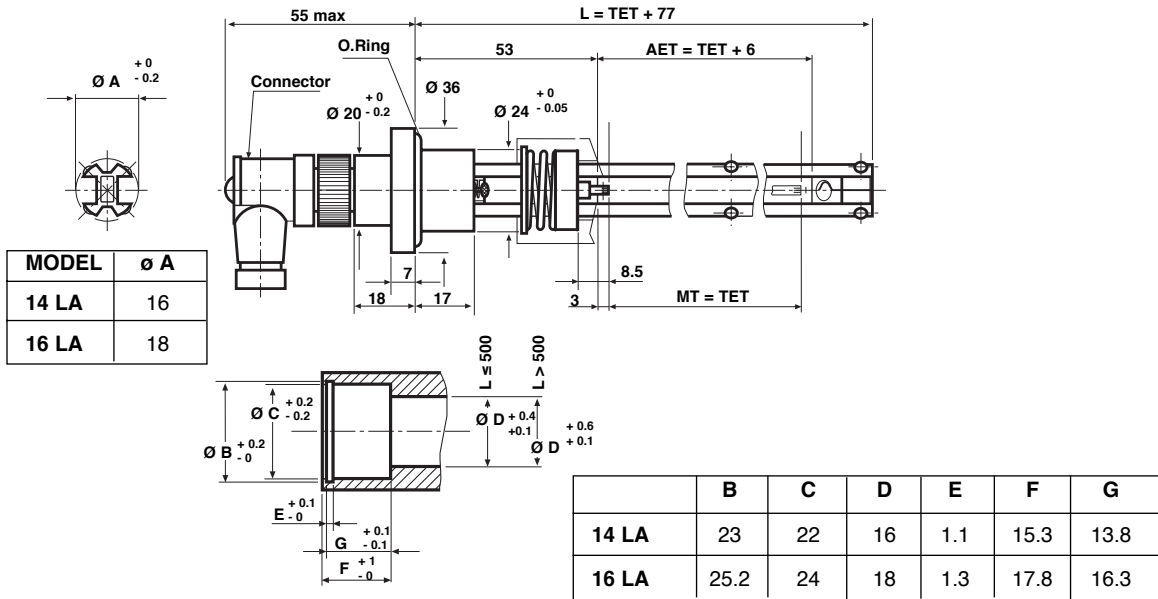
14 LA, 16 LA



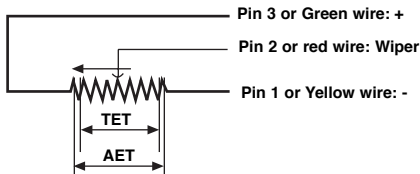
Vishay Sfernice

Precision Linear Transducers,
Designed for Mounting in Hydraulic or Pneumatic Cylinder,
Conductive Plastic Element (REC)

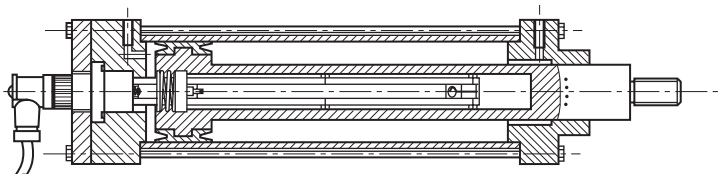
DIMENSIONS in millimeters, general tolerance ± 1 mm



ELECTRICAL CONNECTIONS



MOUNTING IN ACTUATOR



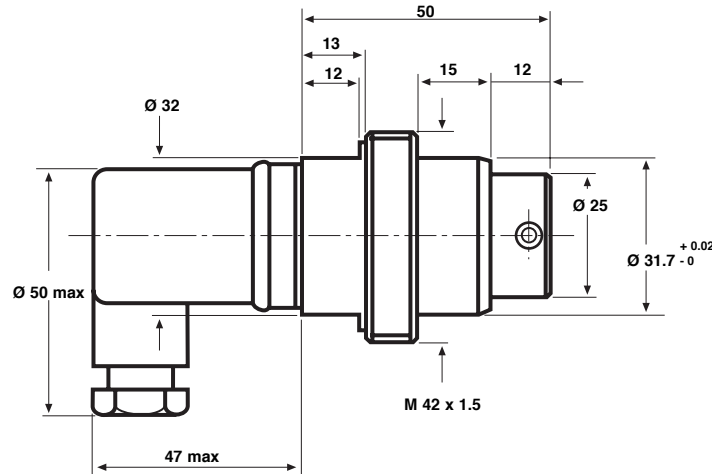


Precision Linear Transducers,
 Designed for Mounting in Hydraulic or Pneumatic Cylinder,
 Conductive Plastic Element (REC)

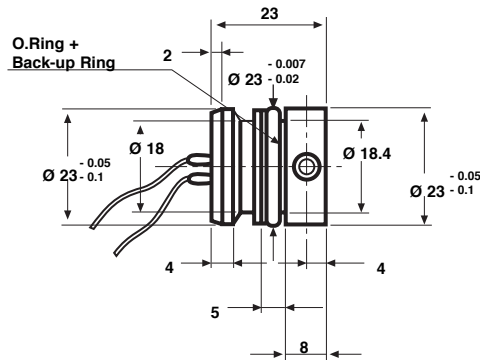
DIMENSIONS millimeters, general tolerance ± 1 mm

OTHER DESIGNS OF SUPPORT

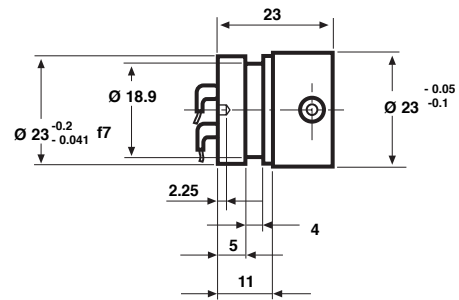
...W04200



...W04700



...W04707



ORDERING INFORMATION

REC SERIES	16 MODEL	LA TYPE	4 THEORETICAL ELECTRICAL TRAVEL	D LINEARITY	152 RESISTANCE	W... MODIFICATIONS
		Sealed	Times 25mm	A: $\leq \pm 1\%$ D: $\leq \pm 0.1\%$ E: $\leq \pm 0.05\%$ F: $\leq \pm 0.025\%$	First 2 digits are significant numbers Third indicates number of zeros	Special Feature Code Number